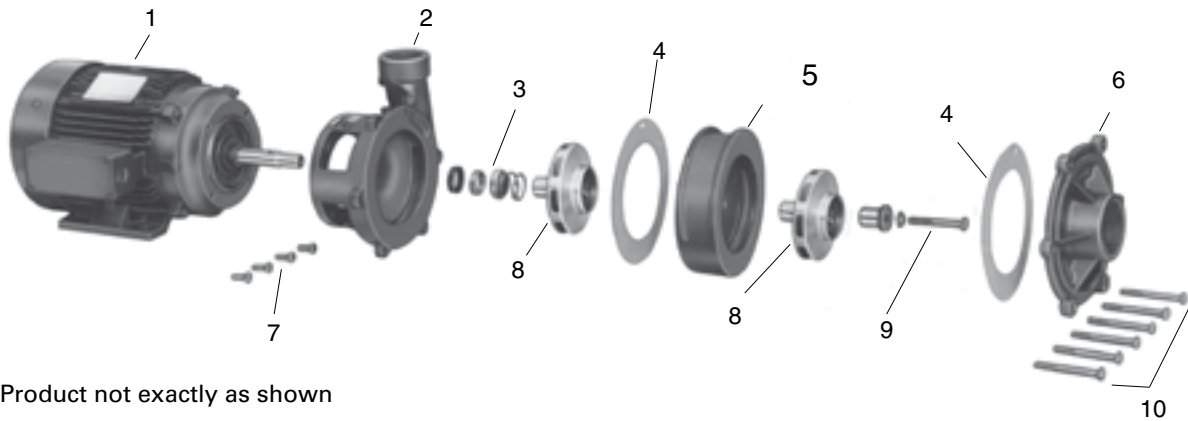


- The C22000 Series is a rugged pump built for extra performance.
- Nationally known NEMA JM motors.
- Electronically balanced brass impellers.
- Capacities to 8,580 gallons per hour.
- Pressures to 85 PSI
- 3" Suction

3 - 7-1/2 HP Single or Three Phase Single and Two Stage Centrifugal Pumps



For Extra Performance



Product not exactly as shown

Ref No.	Description
1	Heavy-duty NEMA JM motor 3, 5, 7-1/2 HP
2	Heavy duty cast iron mounting ring
3	1-1/4" Rotary seal
4	Gasket
5	Heavy duty cast iron Intermediate stage

Ref No.	Description
6	Heavy duty cast iron body
7	Motor mounting bolts
8	Electronically balanced brass impellers
9	Brass impeller retainer and stainless steel lock screw
10	Pump through bolts

C22000 Series Performance



FLINT & WALLING

Zoeller Family of Water Solutions™

MODEL NUMBER		HP	STAGES	DISCHARGE PRESSURES (PSI)							MAX SUCTION LIFT (FT)	SUCT PIPETAP (NPT)	DISCH PIPETAP (NPT)
1 PHASE	3 PHASE			20	30	40	50	60	70	80			
C22131	C22133	3	1	125	90	42					15	3	2
C22151	C22153	5	1	122	113	98					20	3	2
C22231	C22233	3	2	95	86	75	60	40	12		20	3	2
C22251	C22253	5	2	143	137	124	111	91	65		20	3	2
--	C22273	7 1/2	2	145	140	138	135	121	95	75	20	3	2

MOTOR VOLTAGE: 3HP 1 Phase 208-230V 60 Hz, 5HP 1 Phase 208-230V 60Hz, 3, 5 & 7.5HP 3 Phase 208-230/460V 60Hz.
120 PSI Maximum Case Pressure

